

**M2**  
indoor  
**BASEMENT FLOOR**

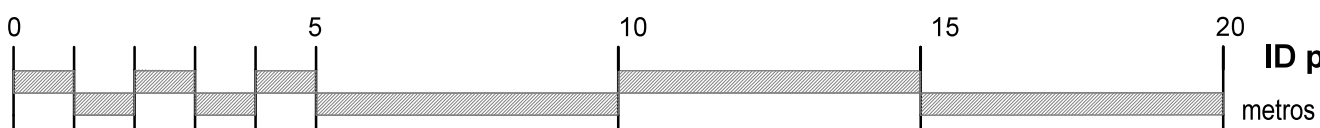
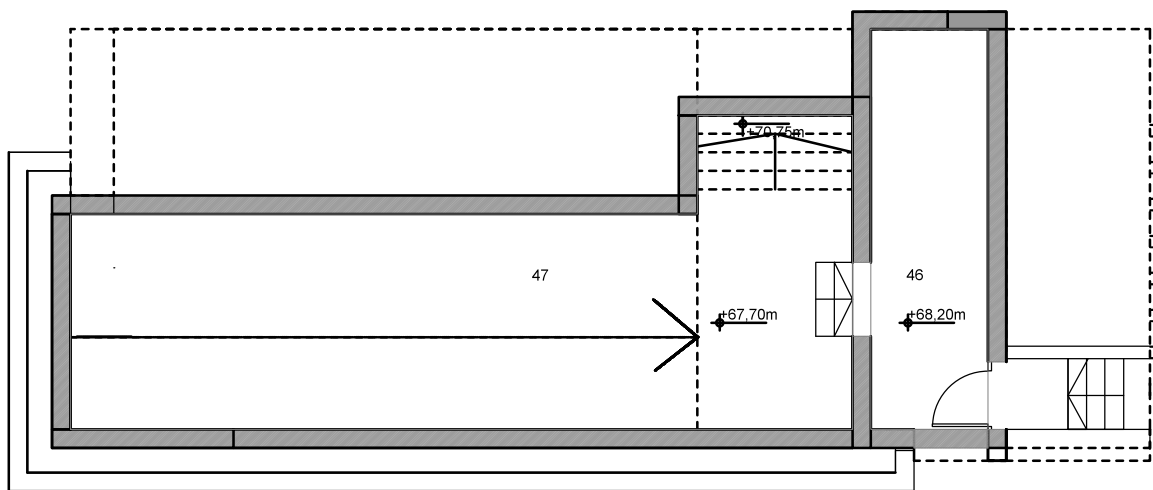
|                       |                   | m2. useful |
|-----------------------|-------------------|------------|
| 30                    | staircase         | 8,80       |
| 31                    | dsitributor       | 26,20      |
| 32                    | toliette          | 3,40       |
| 33                    | electrical room   | 5,80       |
| 34                    | laundry           | 18,80      |
| 35                    | installation room | 16,10      |
| 36                    | storage           | 12,80      |
| 37                    | storage           | 7,65       |
| 38                    | winecellar        | 4,40       |
| 39                    | homecinema        | 37,55      |
| 40                    | gym               | 28,80      |
| 41                    | extra room        | 19,40      |
| 42                    | extra bathroom    | 11,60      |
| 43                    | closet            | 4,40       |
| outdoor               |                   |            |
| <b>BASEMENT FLOOR</b> |                   |            |
| 44                    | patio             | 5,50       |
| 45                    | laundry patio     | 2,80       |

**BUILT SURFACE**

m2

|                        |                 |
|------------------------|-----------------|
| <b>Basement indoor</b> | 254,80m2        |
| <b>TOTAL</b>           | <b>254,80m2</b> |

|    |                     |       |
|----|---------------------|-------|
| 46 | pool inst. room     | 12,30 |
| 47 | garden storage room | 48,40 |



ID plan

date 01.09.2018  
**BASEMENT**

scale 1.125

**004**